

## AXOR ShowerSolutions

### Hand shower 120 3jet

Surfaces: **Chrome** Article Number: **26050000**



#### Description

##### product features

- shower head size: 125 mm
- convenient diversion via Select button
- spray type: Rain, RainAir, Whirl
- flow rate at 3 bar: 15 l/min
- with internal water conduction
- rinseable dirt filter
- connection thread G ½
- connection dimension: DN15
- suitable for continuous flow water heaters
- suitable for rim-/ tile-mounted mixers

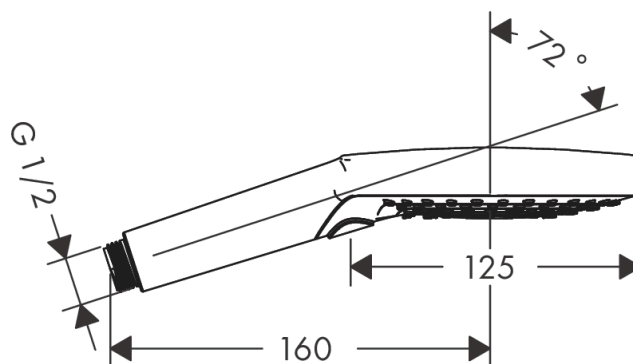
#### Technology



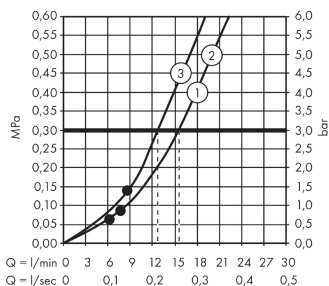
#### Product image



#### Scale drawing



#### Flowchart



The consumption was measured in combination with the appropriate fittings (thermostat/mixer/ in-wall valve) to reflect actual application in practice.